

ALLROUNDER 920 H

Clamp-Design

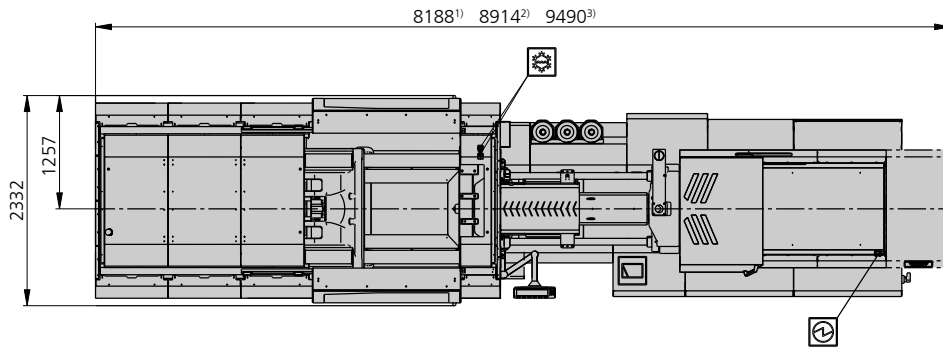
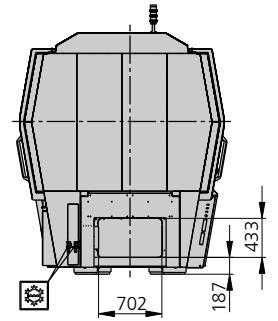
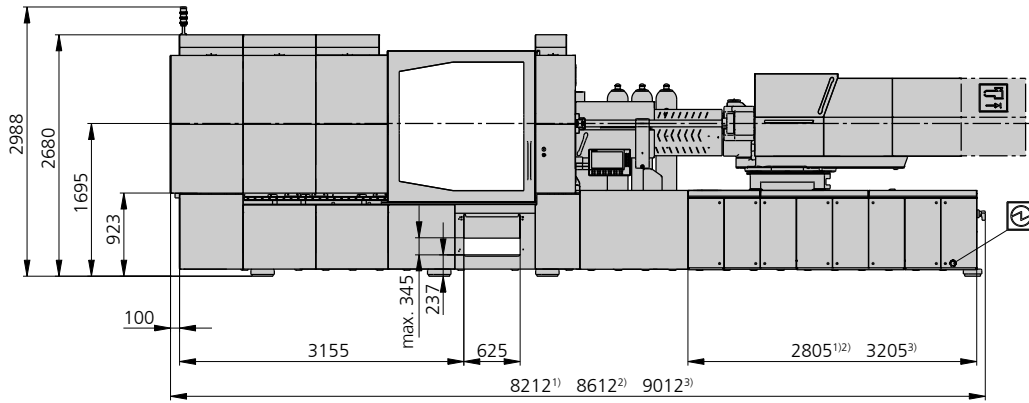
Distance between tie bars: 920 x 920 mm

Clamping force: 5000 kN

Injection unit (acc. to EUROMAP): 2100, 3200, 4600

ARBURG

MACHINE DIMENSIONS | 920 H



Electrical connection



Cooling water connection

- 1) Injection unit 2100
- 2) Injection unit 3200
- 3) Injection unit 4600

TECHNICAL DATA | 920 H

Clamping unit		920 H
with clamping force	max. kN	5000
Opening force stroke	max. kN mm	--- 900
Mould height, fixed variable	min.-max. mm	--- 400-1050
Platen daylight fixed variable	max. mm	--- 1300-1950
Distance between tie bars (w x h)	mm	920 x 920
Mould mounting platens (w x h)	max. mm	1280 x 1280
Weight of movable mould half	max. kg	6000
Ejector force stroke	max. kN mm	86 250
Dry cycle time EUROMAP ²	min. s - mm	2,5 - 644

Injection unit		2100			3200			4600		
with screw diameter	mm	60	70	80	70	80	90	80	90	100
Effective screw length	L/D	23	20	17,5	23	20	18	22,5	20	18
Screw stroke	max. mm	280			320			360		
Calculated stroke volume	max. cm ³	792	1078	1407	1232	1608	2036	1810	2290	2827
Shot weight	max. g PS	723	984	1286	1125	1469	1860	1653	2092	2583
Material throughput	max. kg/h PS	125	145	175	185	215	250	255	295	330
	max. kg/h PA6.6	62	74	88	93	110	125	120	150	170
Injection pressure	max. bar	2500	2000	1530	2500	2000	1580	2500	2000	1620
Holding pressure	max. bar	2500	2000	1530	2500	2000	1580	2500	2000	1620
Injection flow	max. cm ³ /s	850	1156	1510	1158	1512	1914	1258	1592	1966
Screw circumferential speed ²	max. m/min	51	60	69	53	60	68	50	60	66
Screw torque ²	max. Nm	2140	2500	2850	3140	3590	4040	4400	4950	5500
Nozzle contact force retraction stroke	max. kN mm	110 600			110 600			110 600		
Heating capacity zones	kW	31,4 8			38,4 8			50,9 9		

Drive and connection		2100	3200	4600
with injection unit				
Net weight of machine	kg	24800	26300	28400
Sound press. level Insecurity ⁴	dB(A)	65 3		
Oil filling	l	420	420	570
Drive power ²	max. kW	---		
Electrical connection ³	kW	115	146	197
	Total	---		
	Machine	160	200	300
Cooling water connection	max. °C	30		
	min. Δp bar	1,5 DN 25		

Machine type

with EUROMAP size designation ¹

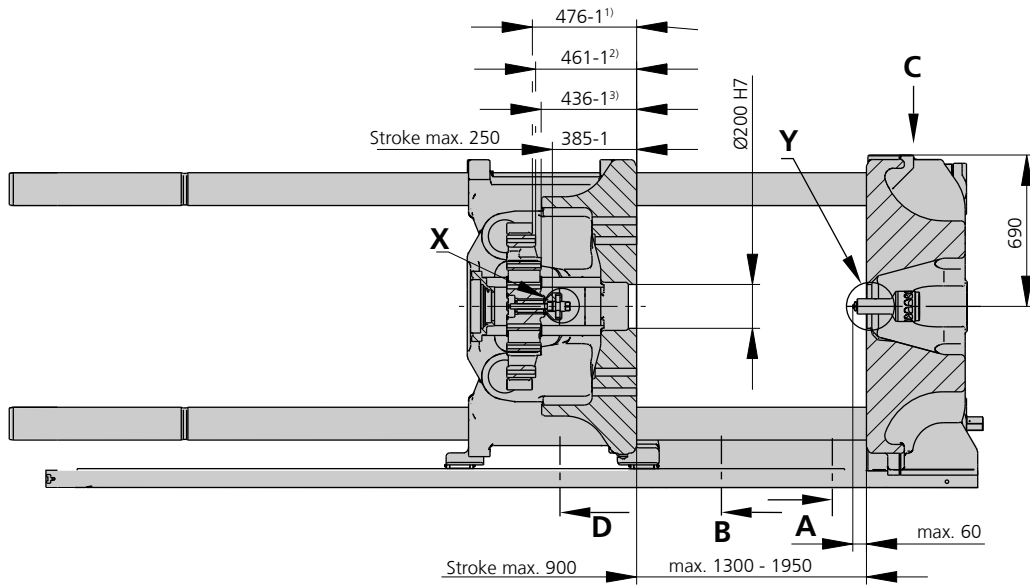
920 H 5000-2100 | 3200 | 4600

Upon request: other machine types and mould installation heights, screws, drive powers etc.

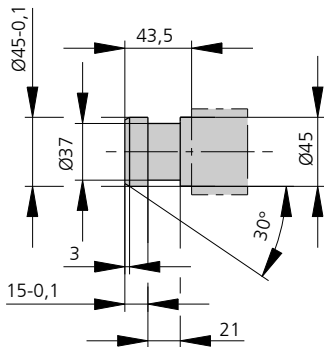
All specifications relate to the basic machine version. Deviations are possible depending on variants, process settings and material type. Depending on the drive, certain combinations, e.g. max. injection pressure and max. injection flow may be mutually exclusive.

- 1) Clamping force (kN) - size of injection unit = max. stroke volume (cm³) x max. injection pressure (kbar)
 - 2) Specifications depend on the drive variant / drive configuration.
 - 3) Specifications relate to 400 V/50 Hz.
 - 4) Emission sound pressure level at the workplace. Detailed information in the operating instructions.
- [] Specifications apply to alternative equipment.

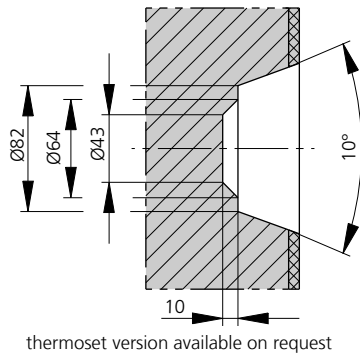
MOULD INSTALLATION DIMENSIONS | 920 H



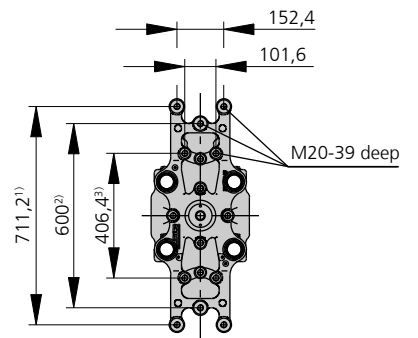
Ejector bolt | X



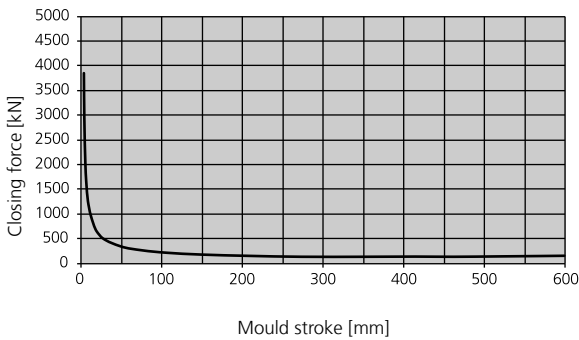
Bore in mould (if required) | Y



Ejector plate | D

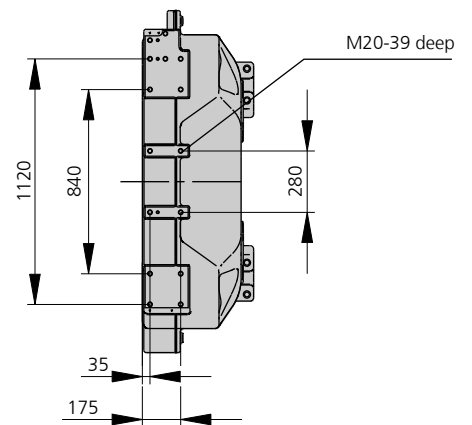


Closing force for spring moulds / during injection compression moulding*



* automatic locking force adjustment up to 30 kN

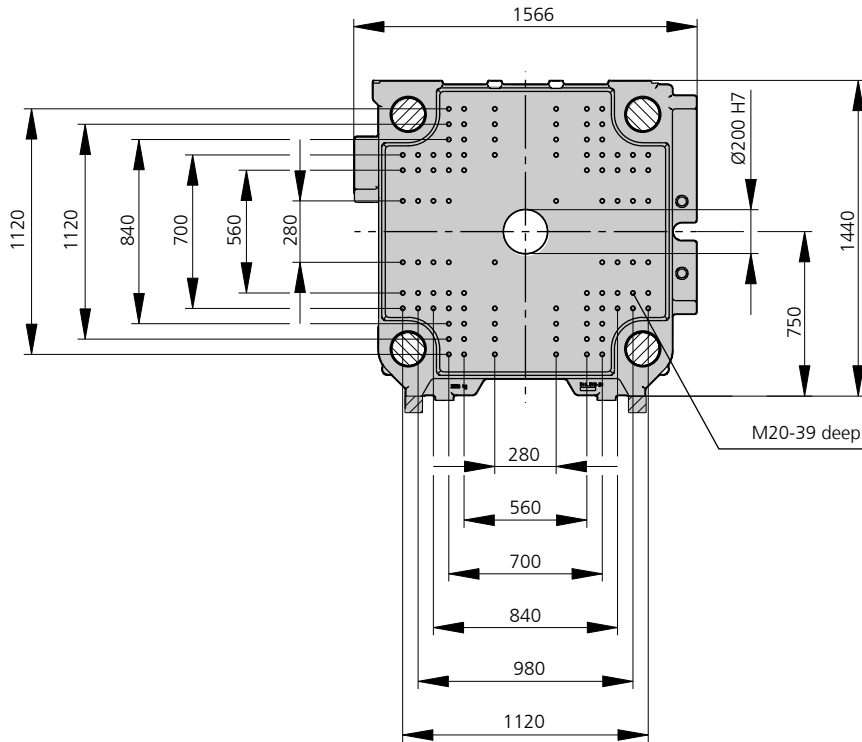
Robotic system mounting | C



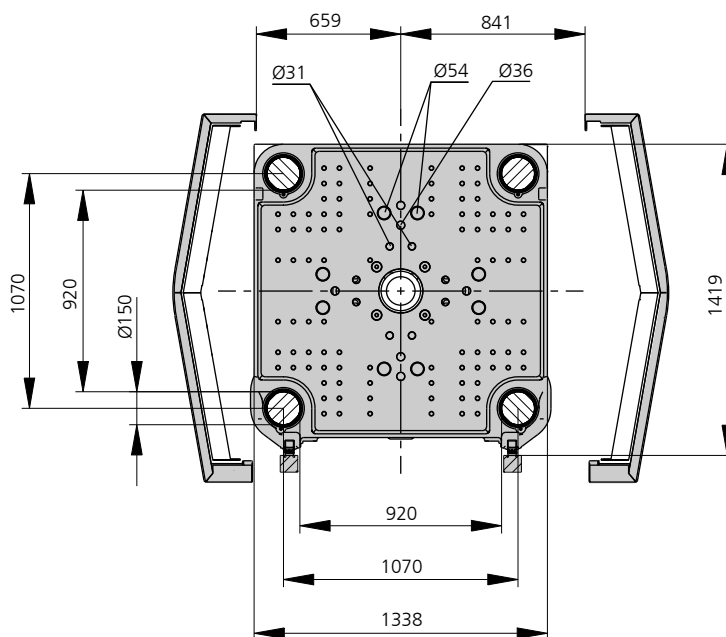
1) Positions of ejector plate

MOULD INSTALLATION DIMENSIONS | 920 H

Fixed mould mounting platen | A



Moving mould mounting platen | B



SHOT WEIGHTS | 920 H

Theoretical shot weights for the most important injection moulding materials

Injection units according to EUROMAP		2100			3200			4600		
Screw diameter	mm	60	70	80	70	80	90	80	90	100
Polystyrene	max. g PS	723	984	1286	1125	1469	1860	1653	2092	2583
Styrene heteropolymerizates	max. g SB	707	962	1256	1099	1436	1817	1615	2044	2523
	max. g SAN, ABS ¹⁾	693	943	1231	1077	1407	1781	1583	2003	2473
Cellulose acetate	max. g CA ¹⁾	814	1108	1447	1266	1654	2093	1860	2354	2907
Celluloseacetobutyrate	max. g CAB ¹⁾	757	1030	1346	1177	1538	1946	1730	2189	2703
Polymethyl methacrylate	max. g PMMA	747	1017	1329	1163	1518	1922	1708	2162	2669
Polyphenylene ether, mod.	max. g PPE	671	914	1194	1044	1364	1726	1535	1942	2398
Polycarbonate	max. g PC	760	1034	1351	1182	1544	1954	1737	2199	2714
Polysulphone	max. g PSU	785	1069	1396	1222	1596	2019	1795	2272	2805
Polyamides	max. g PA 6.6 PA 6 ¹⁾	719	978	1278	1118	1461	1848	1643	2080	2568
	max. g PA 6.10 PA 11 ¹⁾	671	914	1194	1044	1364	1726	1535	1942	2398
Polyoximethylene (Polyacetal)	max. g POM	893	1215	1588	1389	1814	2296	2041	2583	3189
Polyethylene terephthalate	max. g PET	861	1172	1531	1340	1750	2215	1969	2492	3076
Polyethylene	max. g PE-LD	546	744	971	850	1110	1405	1249	1580	1951
	max. g PE-HD	564	768	1003	877	1146	1450	1289	1632	2015
Polypropylene	max. g PP	576	784	1025	897	1171	1482	1317	1667	2058
Fluoropolymerides	max. g FEP, PFA, PCTFE ¹⁾	1157	1575	2058	1800	2352	2976	2646	3348	4134
	max. g ETFE	1015	1382	1805	1579	2063	2611	2321	2937	3626
Polyvinyl chloride	max. g PVC-U	874	1190	1554	1360	1776	2247	1998	2528	3121
	max. g PVC-P ¹⁾	808	1099	1436	1256	1641	2076	1846	2336	2884

1) average value

ARBURG GmbH + Co KG
 Arthur-Hehl-Strasse
 72290 Lossburg
 Tel.: +49 7446 33-0
 www.arburg.com
 contact@arburg.com